

INTUBATION BOX ASSEMBLED OR “KNOCK DOWN”

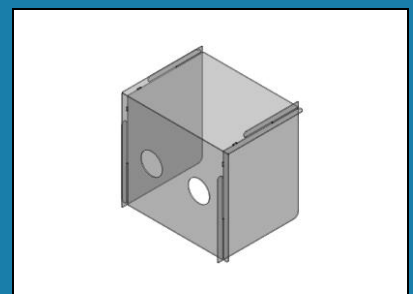
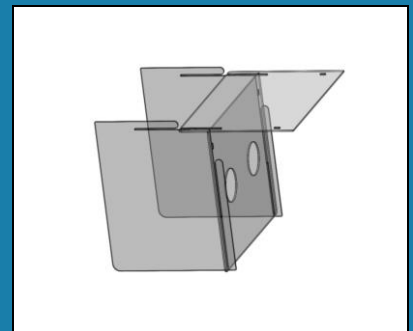
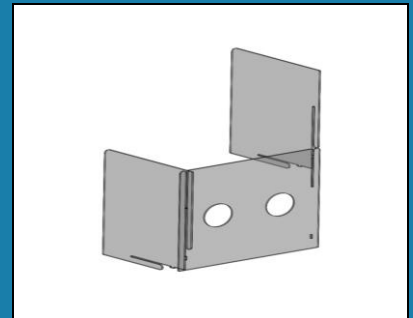
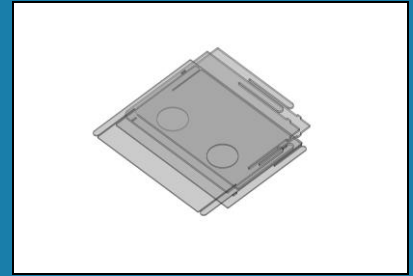
Avoid Corona Aerosol

Protect first responders and medical professionals with a clear plastic barrier that slides over patient head and has easy arm hole access. Available glued together or as a “knock down” unit for easy storage and low-cost shipping.

Patent Pending

Solutions in Plastic

“Knock-Down” Assembles in 4 Easy Steps



ACI PLASTICS
Multiple Midwest Locations

Call
877.391.8202

or email
info@acioplastics.net